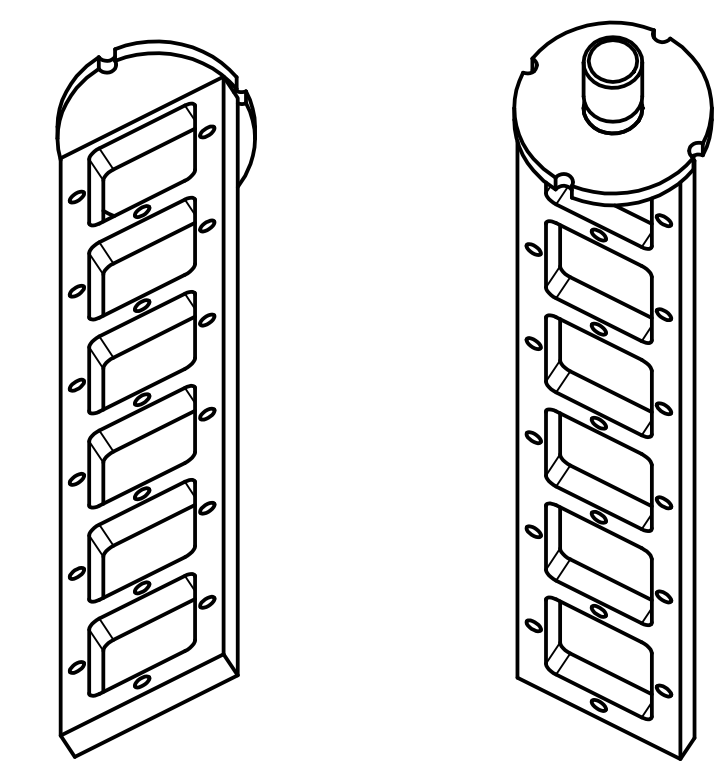
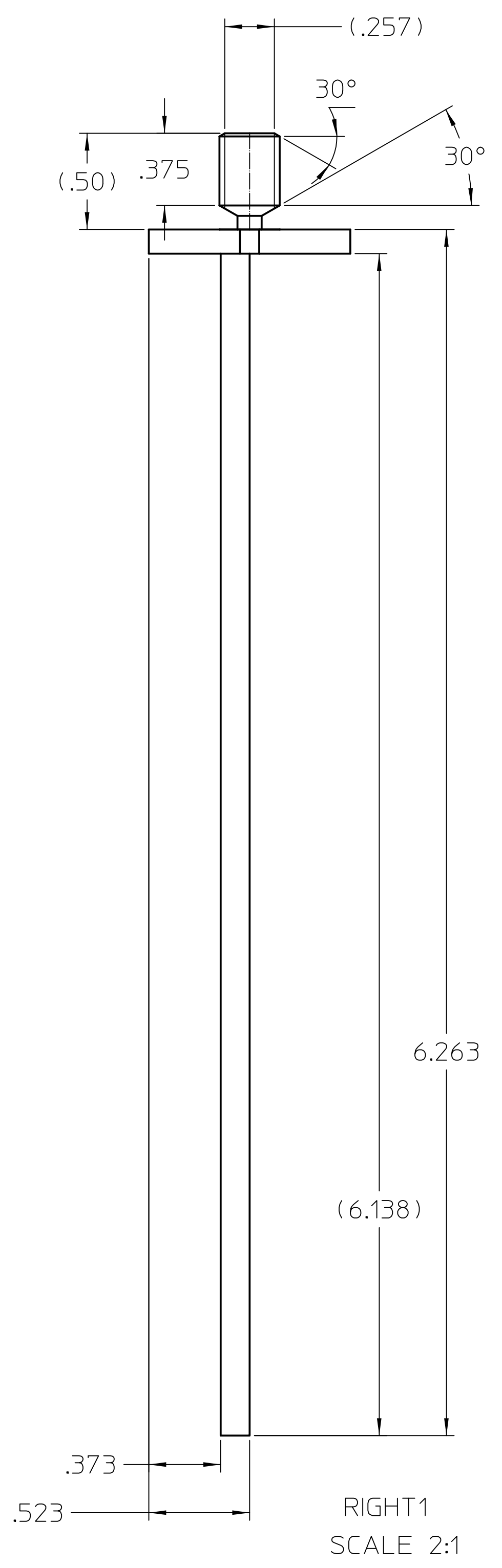
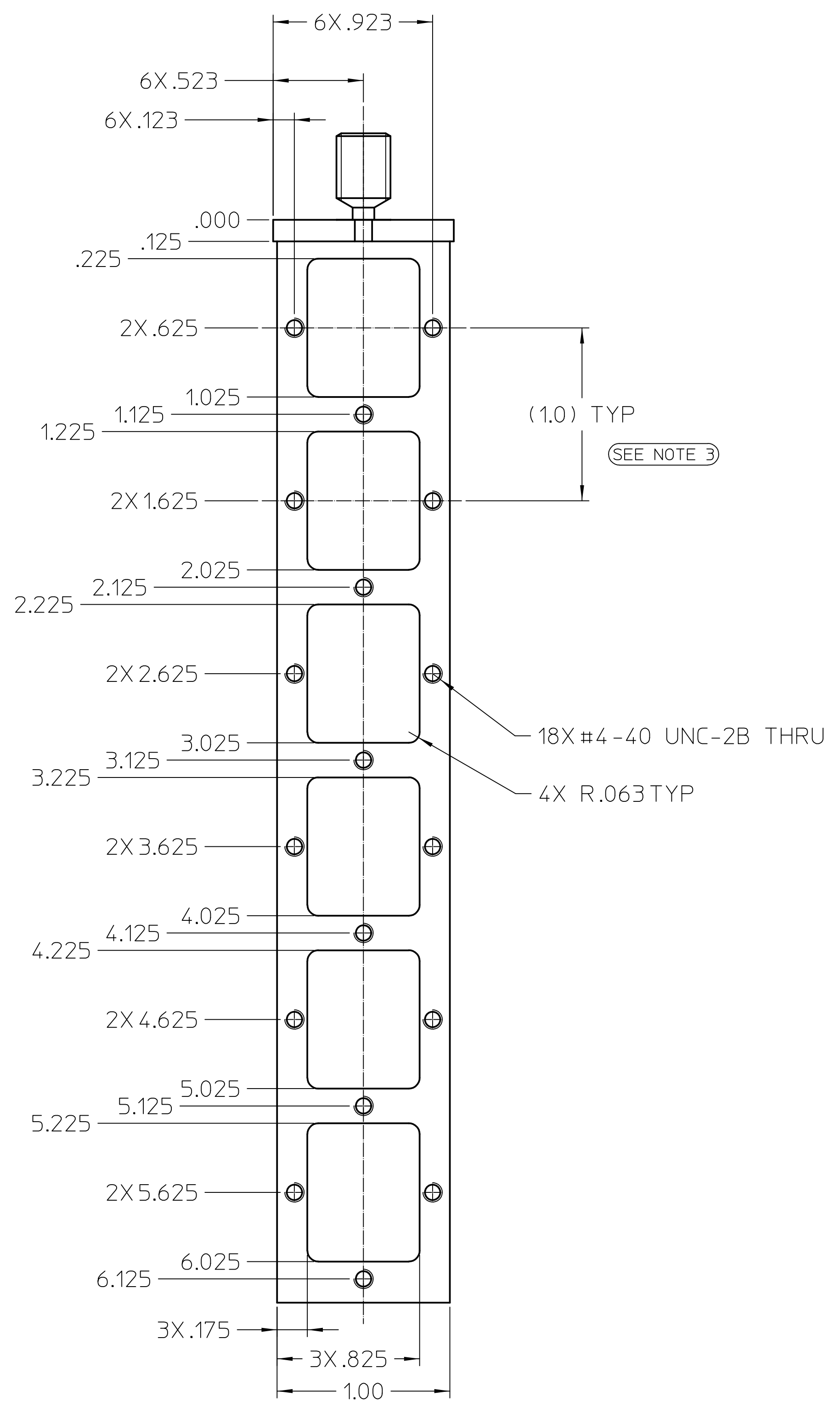
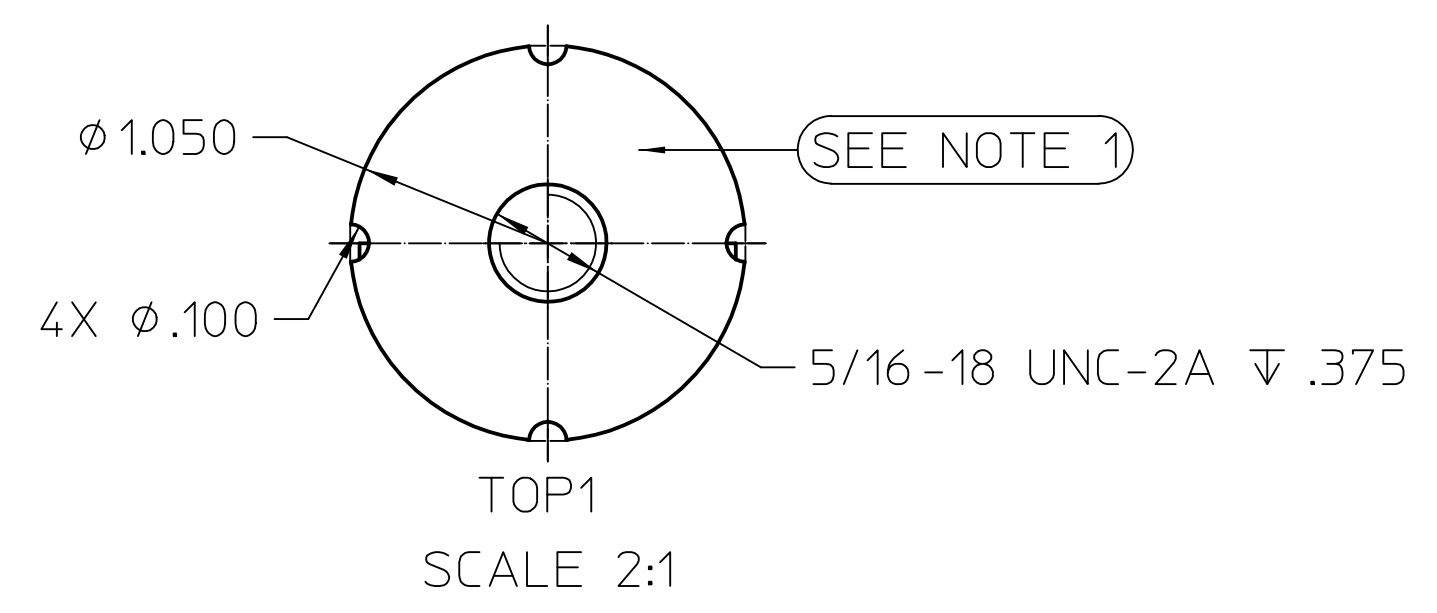


REVISIONS				
No.	ZONE	ECN	CHANGE	DATE
1				



ISO1
SCALE 1:1

ISO2
SCALE 1:1



NOTES:

1. MARK PART WITH NO. 1/8" CHARACTER SIZE. DEPTH OF 1/64"
2. BREAK ALL SHARP EDGES .005 - .015
3. USER NOTE: SAMPLE POSITION CENTERS AT 1" INTERVALS

MATERIAL SPECIFICATION		DRAWING APPROVALS		UNLESS OTHERWISE SPECIFIED DIMENSIONS ARE IN INCHES		NIST		CENTER FOR NEUTRON RESEARCH	
ALUMINUM 6061-T6		ENGR DATE		TOLERANCES ARE:		National Institute of Standards and Technology		100 BUREAU DRIVE	
SIZE		ENGR INGR DATE		DECIMALS FRACTIONS		U.S. Department of Commerce		GAITHERSBURG, MD. 20899	
PLATE		DATE		.XXX +.005 -0.015		6 POS RT SAMPLE		014-1579	
MODEL DATA		DRAWING DATA		.XX +.01 -0.01		D		Dwg No. 014-3572	
MODEL NAME		DATE		.X +.01 -0.01		DO NOT SCALE DRAWING		REV 1	
6pos rt sample		5/18/21 10:37 AM		.X +.01 -0.01		FOR		SHEET 1 of 1	
CREATOR		DATE		ANGLES		SCALE		RELEASE DATE	
swalson		5/17/21 10:36 AM		.5		2:1			
STATE		DATE		DO NOT SCALE DRAWING		CALC. WT.		ACT. WT.	
work		5/18/21 10:37 AM		FOR					
VERSION		DATE		ENGINEER		DIM. & TOL. PER ANSI Y14.5M-1982			
1		5/18/21 10:37 AM		Shannon Watson					
DRAFTER		DATE		PHONE NUMBER					
swalson		5/18/21 10:37 AM		(301) 975-6232					
LAST UPDATE BY		DATE		EMAIL ADDRESS					
swalson		5/18/21 10:52 AM		swatson@nist.gov					