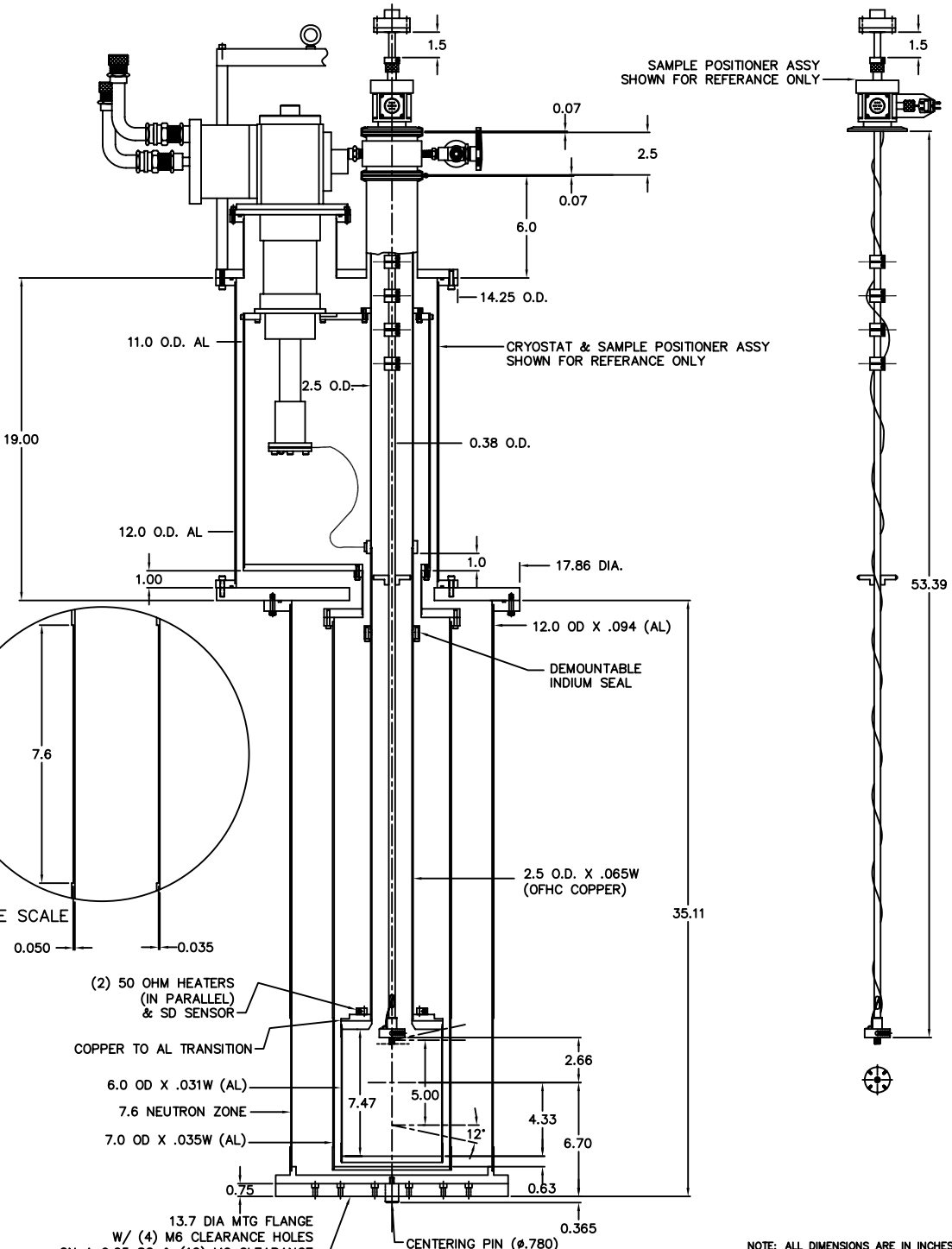
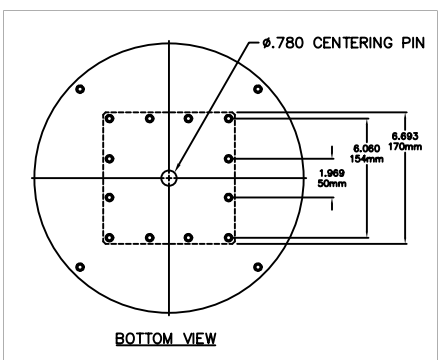
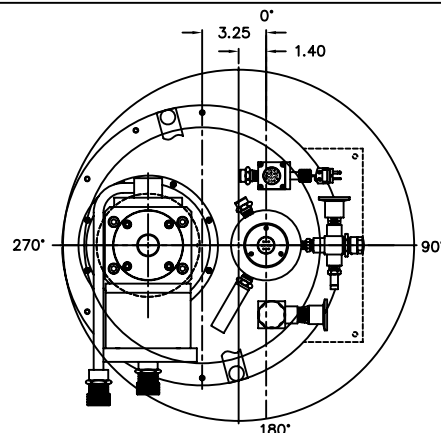


REVISIONS		
LTR	DESCRIPTION	DATE
A	UPDATED HEATER/AUTO FLUX NOTES & ADDED CENTERING PIN	10/06/08



NEUTRON ZONE SCALE

NOTE: ALL DIMENSIONS ARE IN INCHES

APPROVALS			JANIS RESEARCH CO.	
DEPT.	SIG.	DATE	WILMINGTON, MA.	
DNW BY	AG	6/12/06	TITLE SPECIAL TAIL ASSY FOR SHI-950-4 NON OPTICAL	
ENG.			SIZE D	
Q.C.			DRAWING NO. D06-12-06E	
RELEASED TO MFG. BY			REV. A	
CUST. APPROVAL BY			SCALE 5/16	
			SHT 1 OF 1	

CONFIDENTIAL AND PROPRIETARY
 THIS DRAWING AND/OR INFORMATION CONTAINED HEREIN IS THE SOLE PROPERTY OF THE JANIS RESEARCH COMPANY AND IS NOT TO BE RELEASED OR DIVULGED TO THIRD PARTIES WITHOUT THE EXPRESSED, WRITTEN CONSENT OF THE JANIS RESEARCH COMPANY, INC.