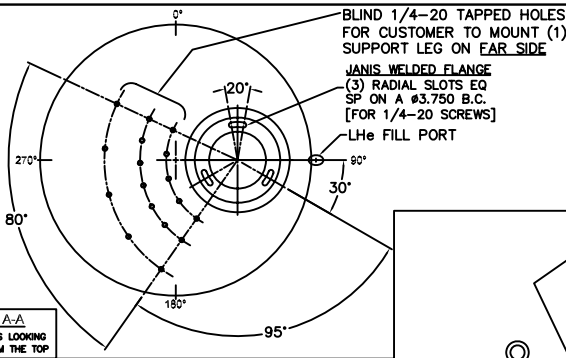
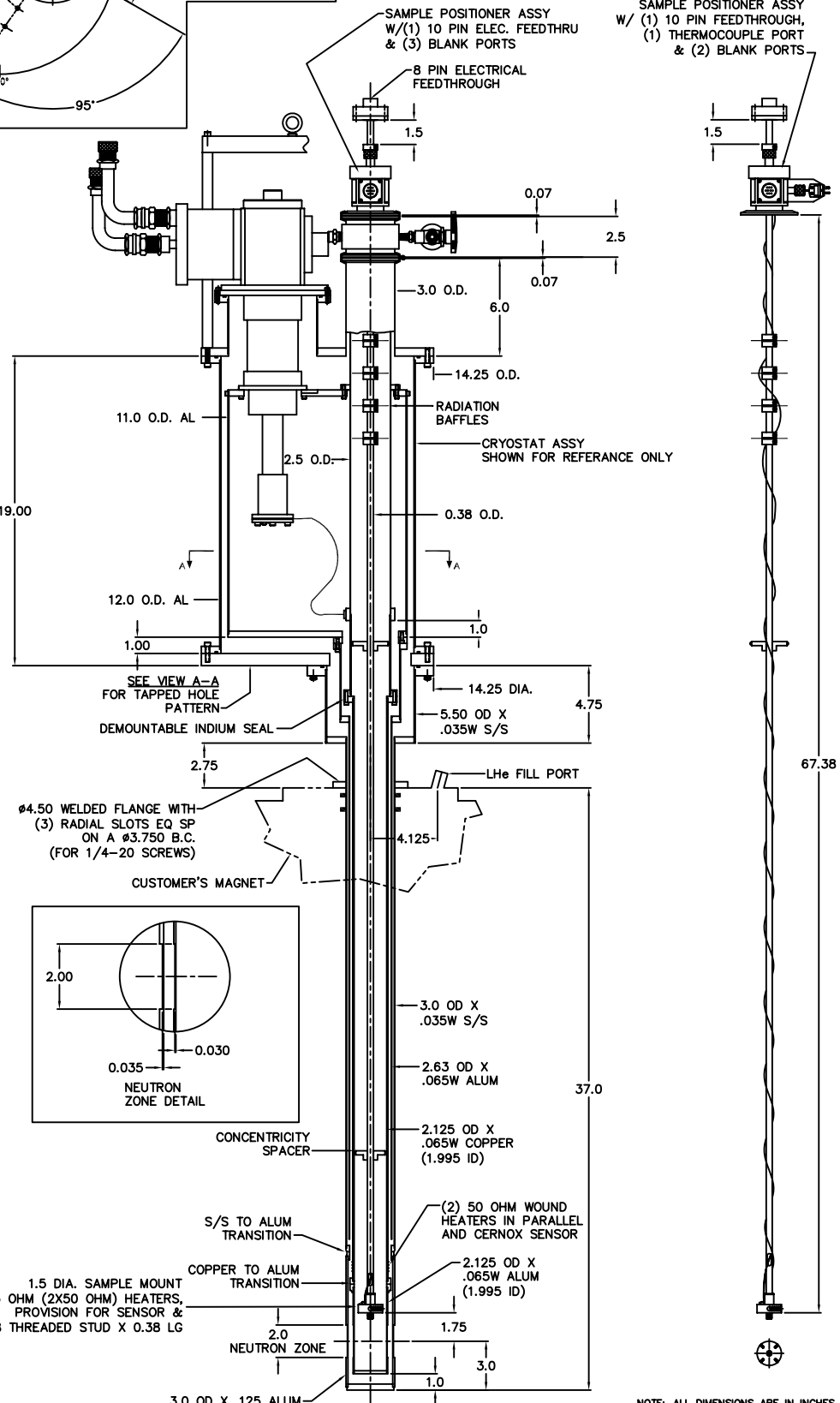


REVISIONS		
LTR	DESCRIPTION	DATE
A	CONFIGURATION CHGS	3/10/06
B	CHANGED SAMPLE TUBE SIZE TO 2.125 OD	3/13/06
C	CONFIGURATION CHGS	6/13/06
D	UPDATED HEATER/W/TO FLNG NOTES & ADDED 2.75 DIA. ASSEZ VIEW A-A	10/06/06



VIEW A-A  
THIS VIEW IS LOOKING DOWN FROM THE TOP



NOTE: ALL DIMENSIONS ARE IN INCHES

SYSTEM INCLUDES-

- (2) SAMPLE POSITIONER ASSY'S FOR 420K &
- (2) SAMPLE POSITIONER ASSY'S FOR 800K

CONFIDENTIAL AND PROPRIETARY  
THIS DRAWING AND/OR INFORMATION CONTAINED HEREIN IS THE SOLE PROPERTY OF THE JANIS RESEARCH COMPANY AND IS NOT TO BE RELEASED OR DIVULGED TO THIRD PARTIES WITHOUT THE EXPRESSED, WRITTEN CONSENT OF THE JANIS RESEARCH COMPANY, INC.

APPROVALS			JANIS RESEARCH CO.	
DEPT.	SIG.	DATE	WILMINGTON, MA.	
DRN BY	AG	2/27/06	TITLE SPECIAL TAIL ASSY FOR SHI-950T-4 NON-OPTICAL	
CHK BY			SIZE D DRAWING NO. D02-27-06A REV. D	
ENG.			P. N. SCALE 5/16 SH 1 OF 1	
Q.C.				
RELEASED TO MFG BY				
CUST. APPROVAL BY				