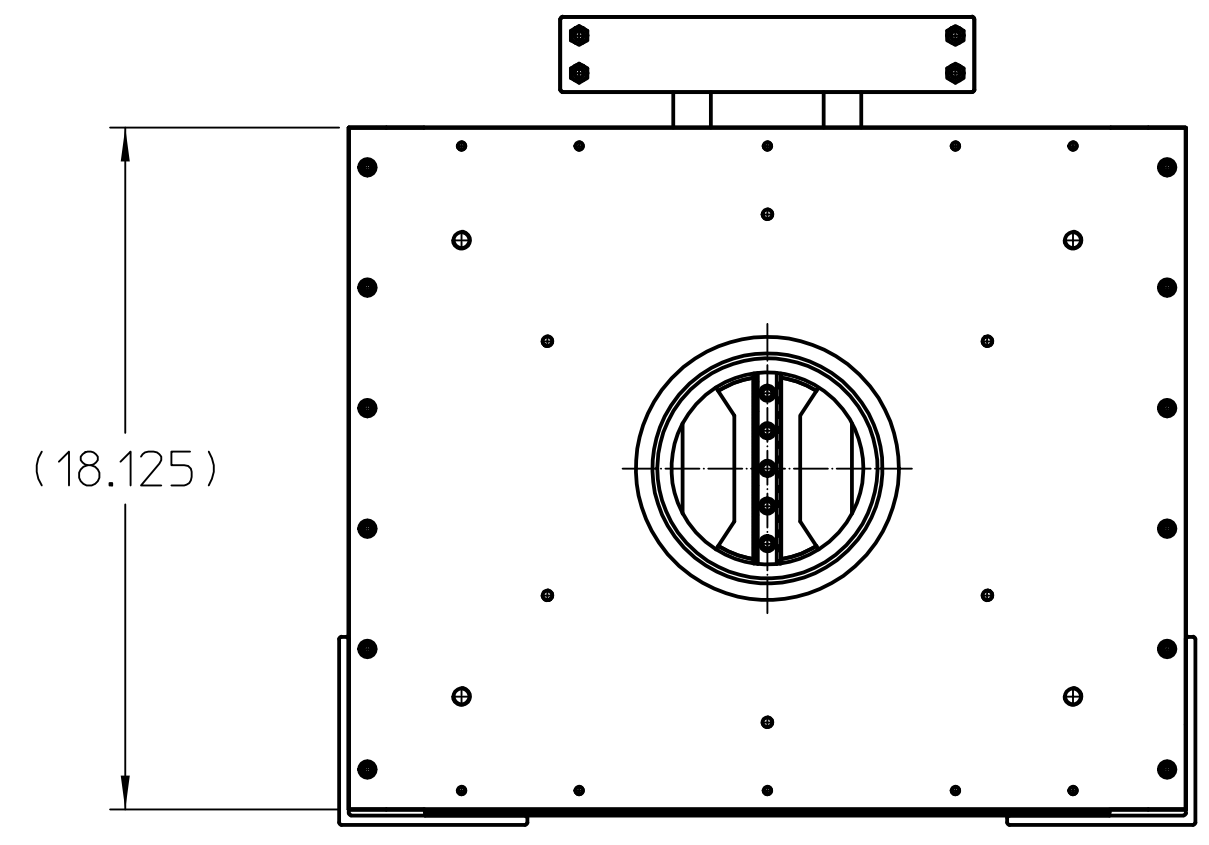
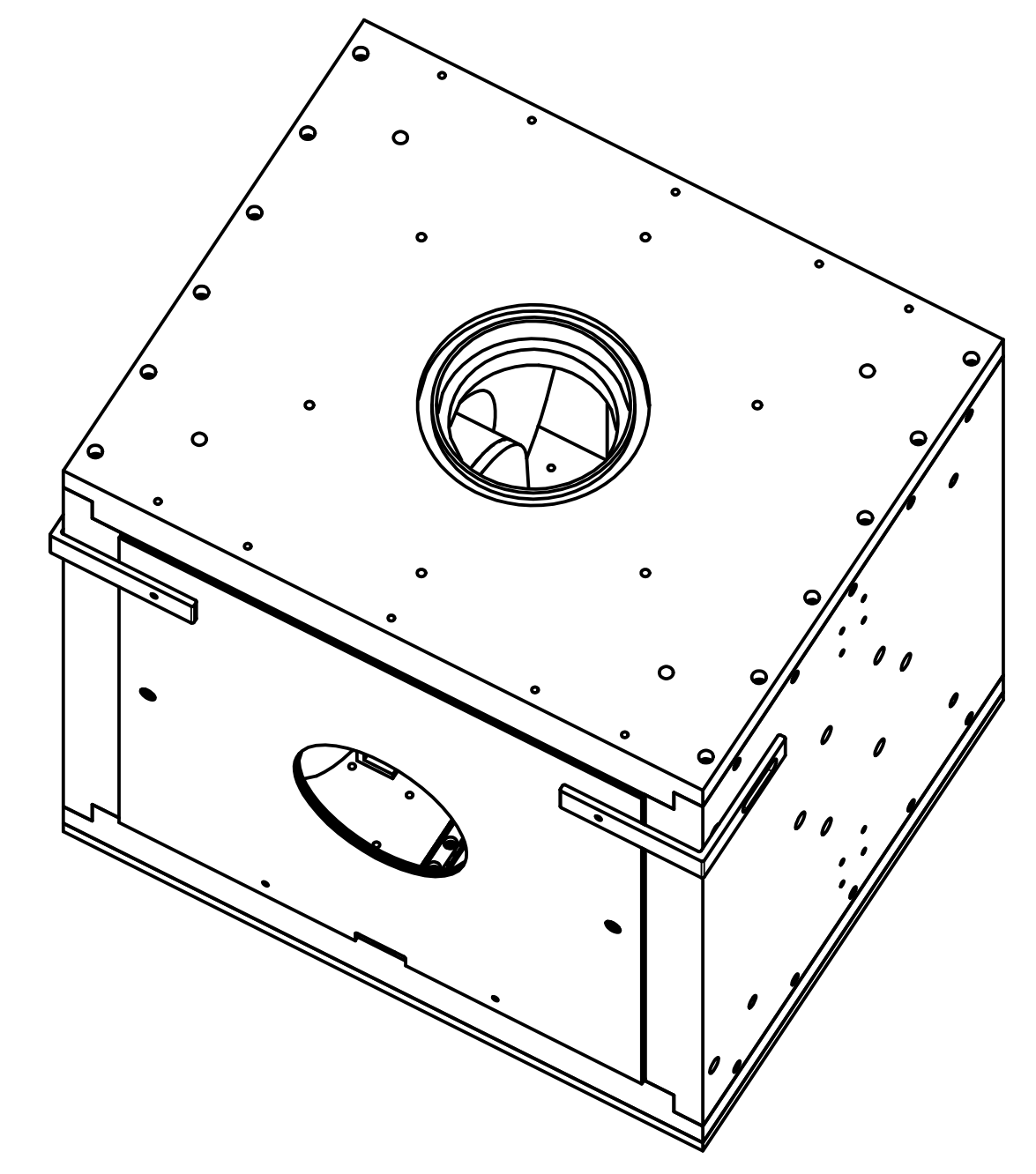


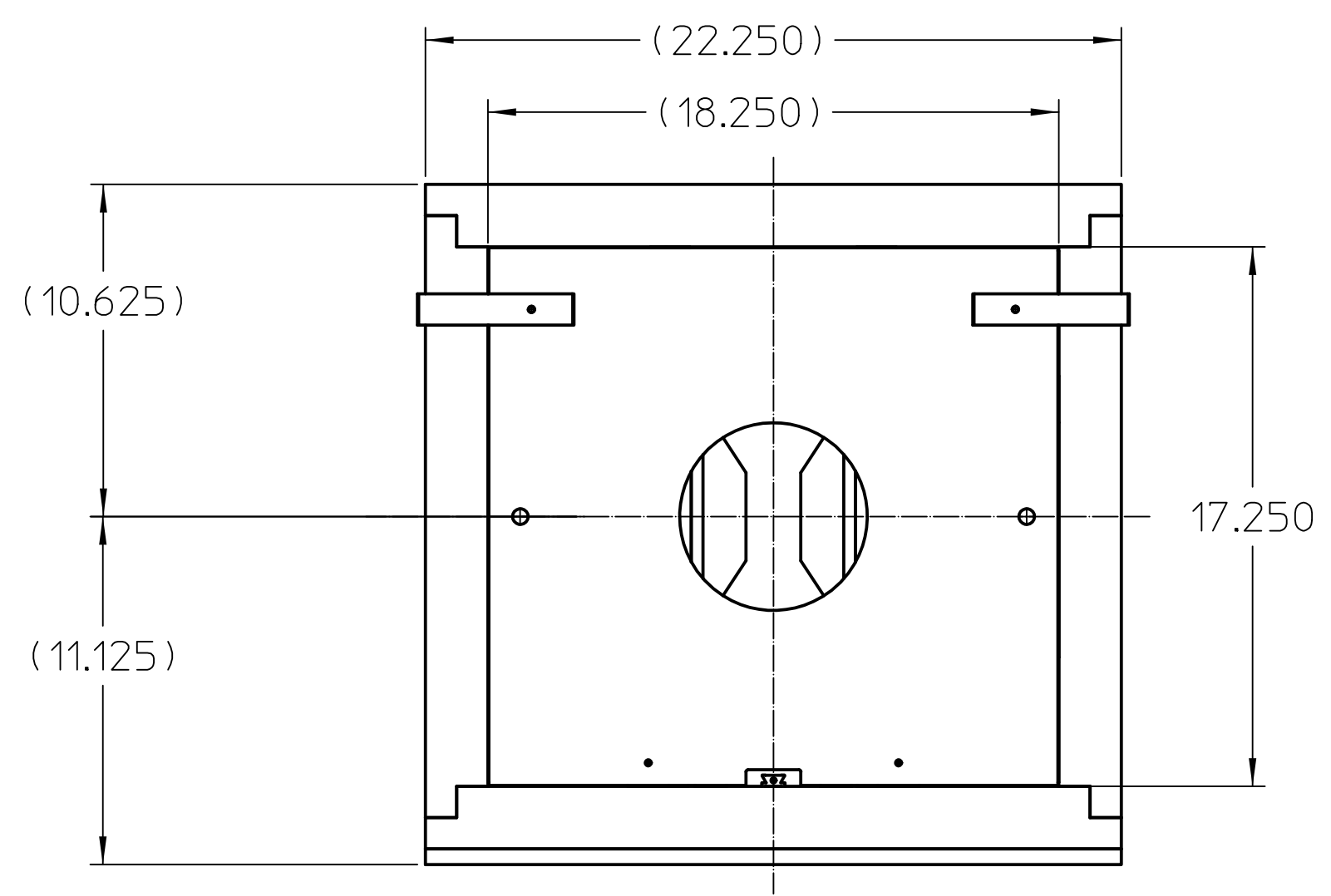
REVISIONS				
No.	ZONE	ECN	CHANGE	DATE
3	4B		ADDED PARTS	4/12/17



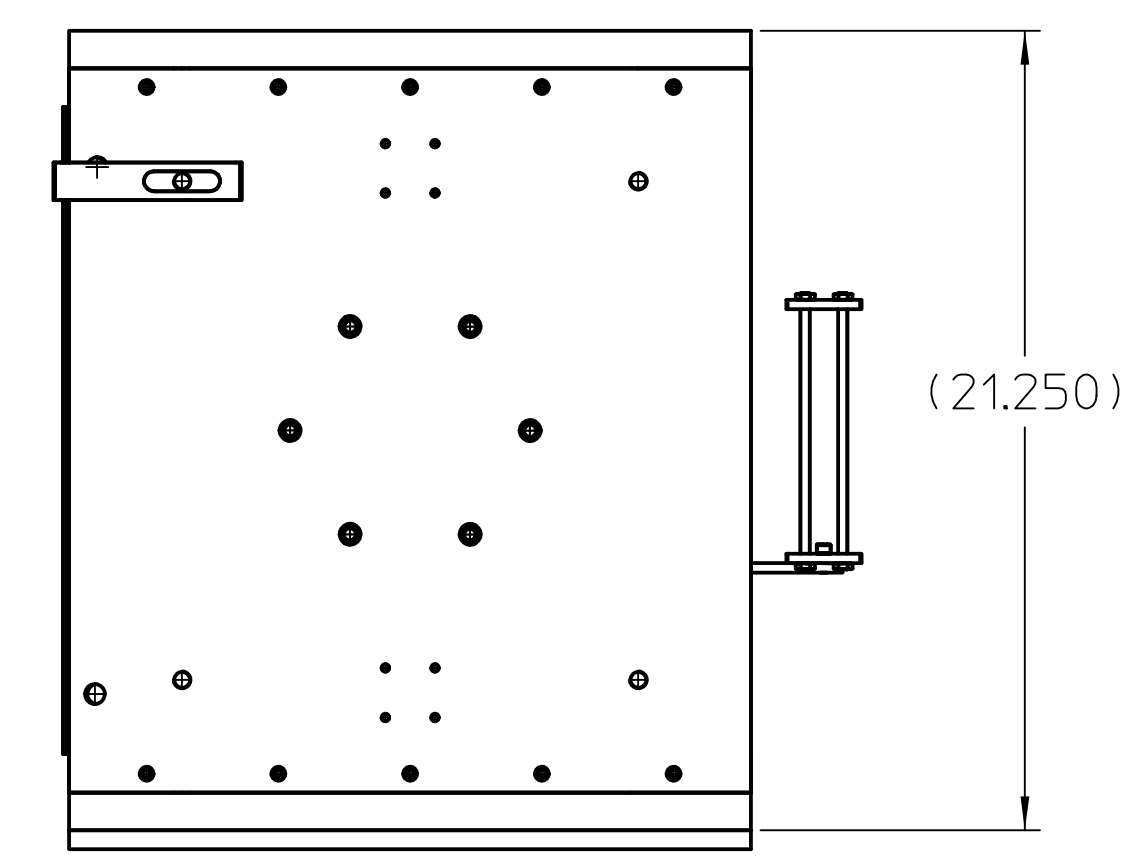
TOP1
SCALE 1:5



ISO1
SCALE 1:5



FRONT1
SCALE 1:5

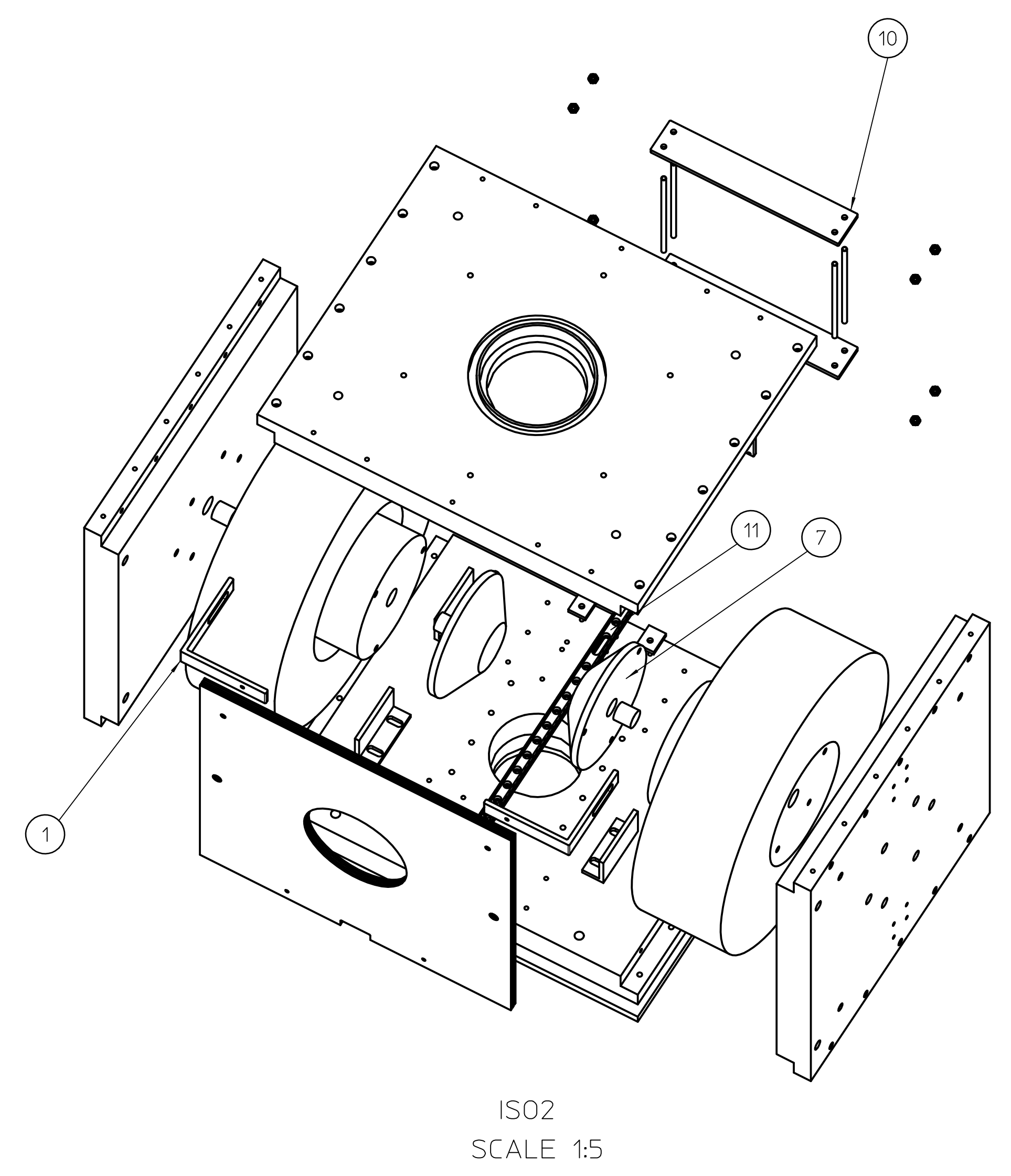
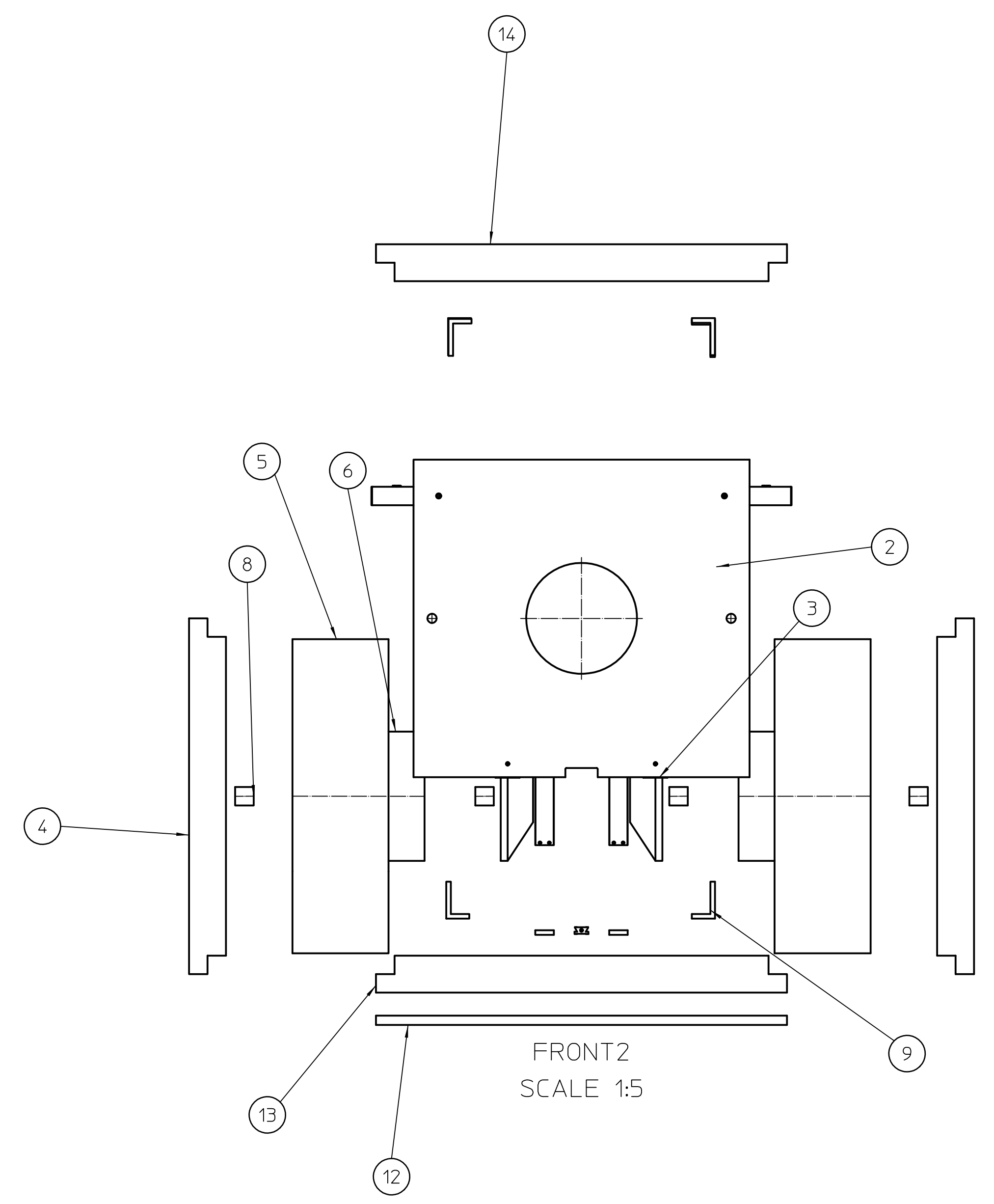


RIGHT1
SCALE 1:5

NOTES:
1. REMOVE ALL BURRS AND SHARP EDGES.
2. USER NOTE ==> DISPLEX RESTS 1.05" BELOW TOP SURFACE.
DISTANCE TO POLE CENTER IS 9.575"

MATERIAL SPECIFICATION		DRAWING APPROVALS		UNLESS OTHERWISE SPECIFIED DIMENSIONS ARE IN INCHES		NIST		CENTER FOR NEUTRON RESEARCH	
PER ASSEMBLY		ENGR	DATE	TOLERANCES ARE:		National Institute of Standards and Technology		100 BUREAU DRIVE	
PER ASSEMBLY		ENGR INDR	DATE	DECIMALS	FRACTIONS	U.S. Department of Commerce		GATHERSBURG, MD. 20899	
MODEL DATA		DRAWING DATA		DO NOT SCALE DRAWING		TITAN ELECTROMAGNET			
MODEL NAME		STATE	DATE	ENGINEER					
Titan_omni Assy		work	4/11/17 6:48 PM	Shannon Watson		SIZE	D	DWG No.	014-1611
CREATOR		DATE	SHEETS	PHONE NUMBER		SCALE	1:5	RELEASE DATE	
swalson		7/8/14 1:23 PM	3	(301) 975-6232		SHEET	1	of	2
DRAFTER		DATE	SHEETS	EMAIL ADDRESS		DIM. & TOL. PER ANSI Y14.5M-1982			
swalson		4/11/17 6:48 PM	2	swalson@nist.gov					
LAST UPDATE BY		DATE	SHEETS	CALC. WT.					
swalson		4/12/17 12:42 PM	3						

REVISIONS				
No.	ZONE	ECN	CHANGE	DATE
3				



QTY	PART No.	SUPPLIER PART No.	SUPPLIER	DESCRIPTION	MATERIAL	ITEM
1	014-1612	N/A	OPEN MARKET	TITAN TOP PLATE	STEEL	14
1	014-1613	N/A	OPEN MARKET	TITAN BOTTOM PLATE	STEEL	13
1	014-2391	N/A	OPEN MARKET	SANS 1/2" HT ADJ. TITAN	ALUMINUM, 6061-T6	12
1	RLA1800	RLA1800	THORLABS	18" Dovetail Optical Rail	ALUMINUM	11
1	014-2342	N/A	OPEN MARKET	3HE TITAN VERTICAL GUIDE ASSY	PER ASSEMBLY	10
8	014-1619	N/A	OPEN MARKET	TITAN COIL BRACE	ALUMINUM, 6061-T6	9
4	014-1618	N/A	NCNR	TITAN COIL SLUG	STEEL	8
2	014-1617	N/A	NCNR	TITAN SHAPED POLE	STEEL	7
2	014-1616	N/A	NCNR	TITAN CYLINDRICAL POLE	STEEL	6
2	014-1615	N/A	NCNR	TITAN COIL	STEEL	5
2	014-1614	N/A	OPEN MARKET	TITAN SIDE PLATE	STEEL	4
2	014-1394	N/A	OPEN MARKET	TITAN MUMETAL BRACKET BASE	ALUMINUM, 6061-T6	3
3	014-1393	N/A	OPEN MARKET	TITAN MUMETAL 8" HOLE	MUMETAL	2
2	014-1392	N/A	OPEN MARKET	TITAN MUMETAL CORNER BRACKET	ALUMINUM, 6061-T6	1

NOTES:
1. REMOVE ALL BURRS AND SHARP EDGES.

BOM: MATERIAL SPECIFICATION PER ASSEMBLY PER ASSEMBLY PER ASSEMBLY		DRAWING APPROVALS ENGR INVR DATE DATE DATE		UNLESS OTHERWISE SPECIFIED DIMENSIONS ARE IN INCHES DECIMALS FRACTIONS .XXX +.005 -0.015 .XX +.01 -0.01 .X +.01 -0.01		CENTER FOR NEUTRON RESEARCH 103 BUREAU DRIVE U.S. Department of Commerce GAITHERSBURG, MD, 20899	
MODEL DATA MODEL NAME: titan_omni Assy CREATOR: swalson DATE: 7/8/14 12:3 PM		DRAWING DATA DO NOT SCALE DRAWING STATE: work DATE: 4/11/17 6:48 PM VERSION: 3 SHEETS: 2 DRAFTER: swalson DATE: 4/11/17 6:48 PM LAST UPDATE BY: swalson DATE: 4/12/17 12:42 PM		ENGINEER: Shannon Watson PHONE NUMBER: (301) 975-6232 EMAIL ADDRESS: swalson@nist.gov		TITLE: TITAN ELECTROMAGNET Dwg No: 014-1611 REV: 3 SCALE: 1:5 DIM. & TOL. PER ANSI Y14.5M-1982	