

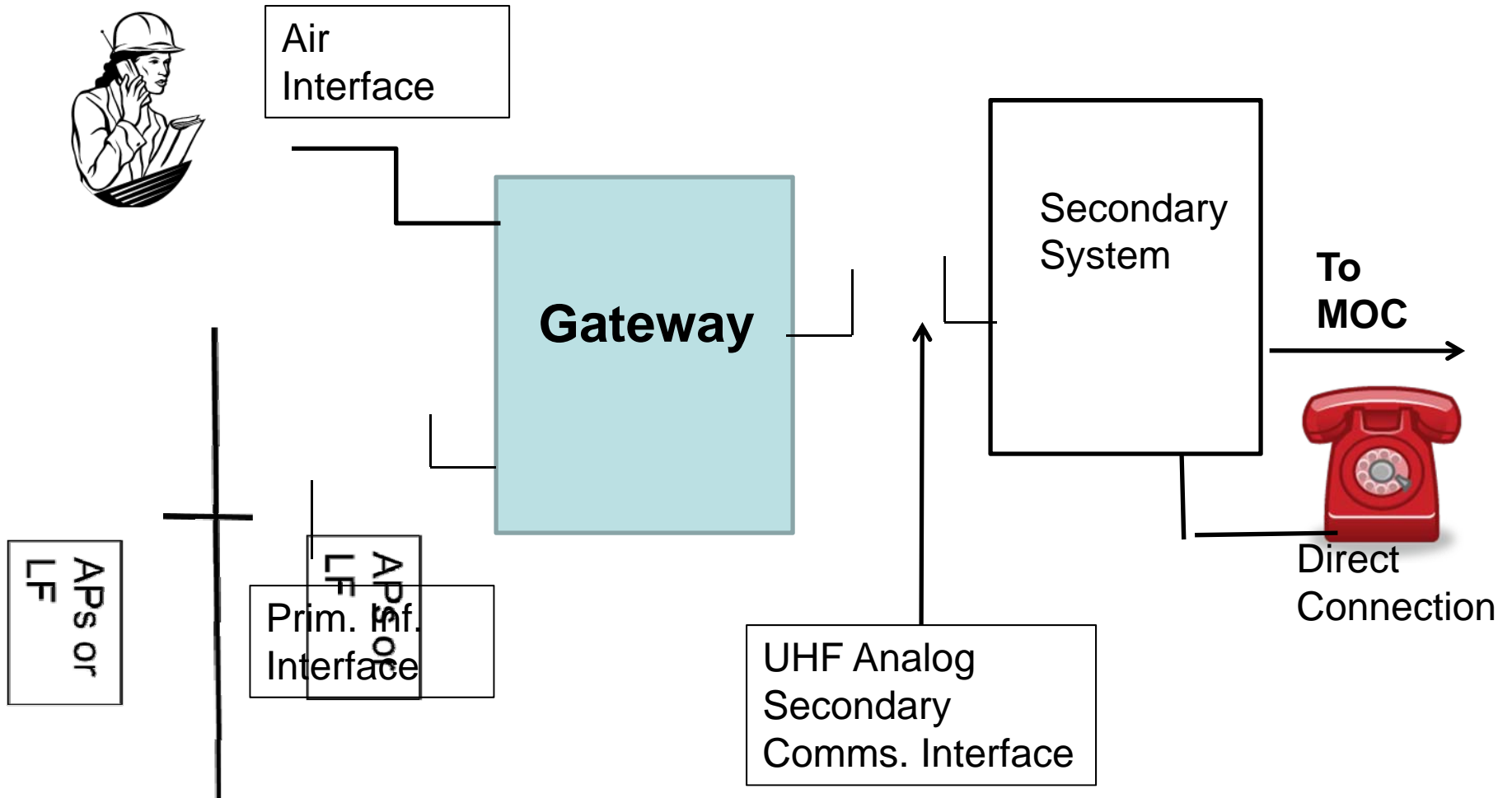
# Areas for discussion

- If we assume the need for a Gateway, what are the desirable interface characteristics
- Primary to Gateway – non-standard?
- Gateway to Secondary – Standard needed?
  - Wireless
  - Optical

# Physical Interface

- If we assume wireless, could we use the UHF leaky feeder/handheld analog interface as the standard
  - Advantage is that two of the secondary systems have already built to this interface
  - Leaky feeder systems manufacturers already use this type of interface
  - Node manufacturers would need to build to some interface in any case

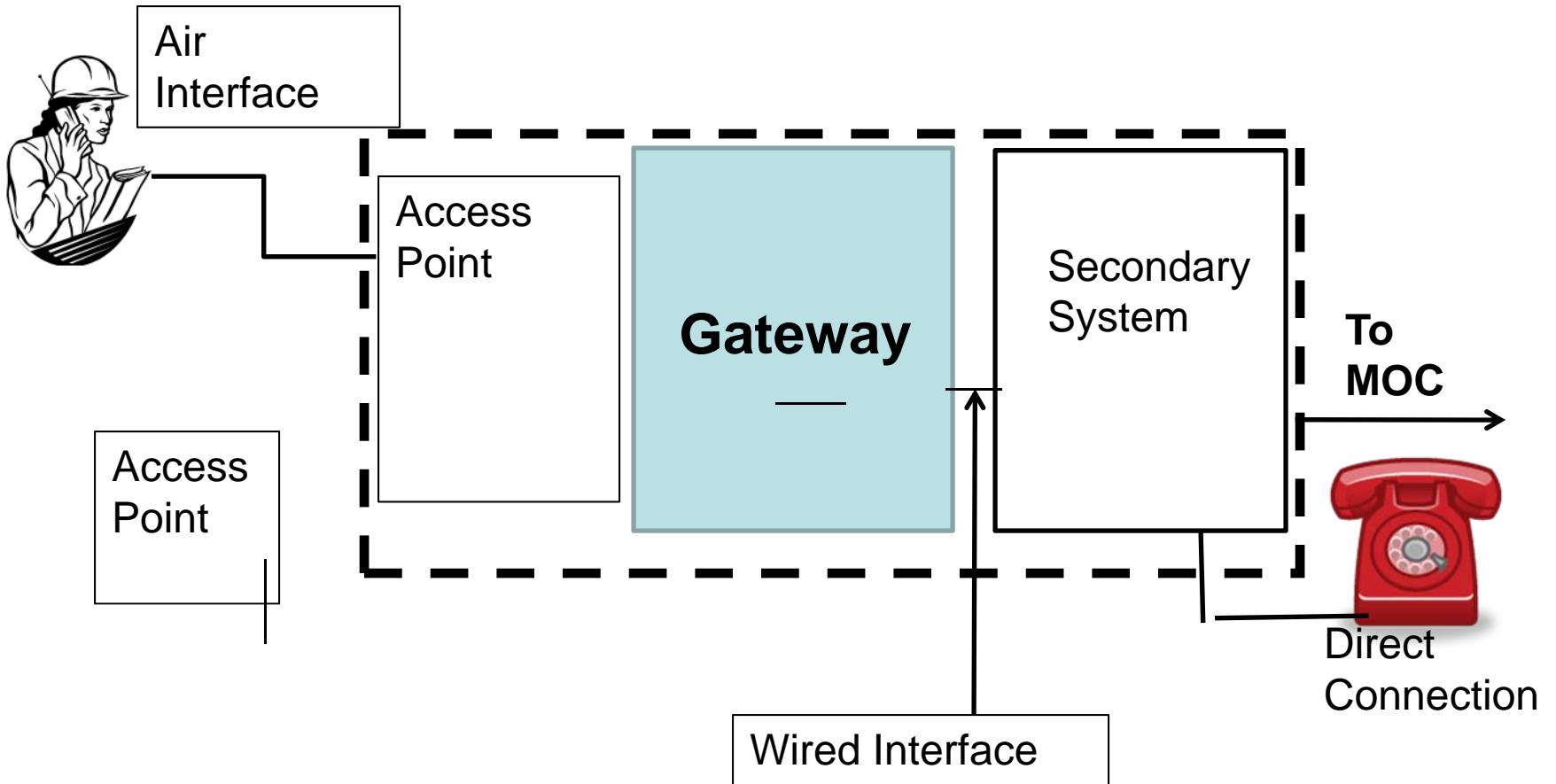
# Gateway Wireless Option A



# Physical Interface (cont.)

- For an integrated solution is there a physical interface standard even required?

# Gateway Integrated Option B



# Protocols

- Are there any candidate protocols that contain desired functions
  - Triggers
  - Wake up command
  - Priority flags

# Gateways

- Are there any gateways that already do some or all of the desired functions?