

Installation Instructions

Supreme Air **BENCH FUME HOOD** with Combination Sash

H07

H09

S T Y L E

Fume Hoods

48"- 60"- 72"- 96" long

Supreme Air Bench Hood

Fume Hood with Combination Sash

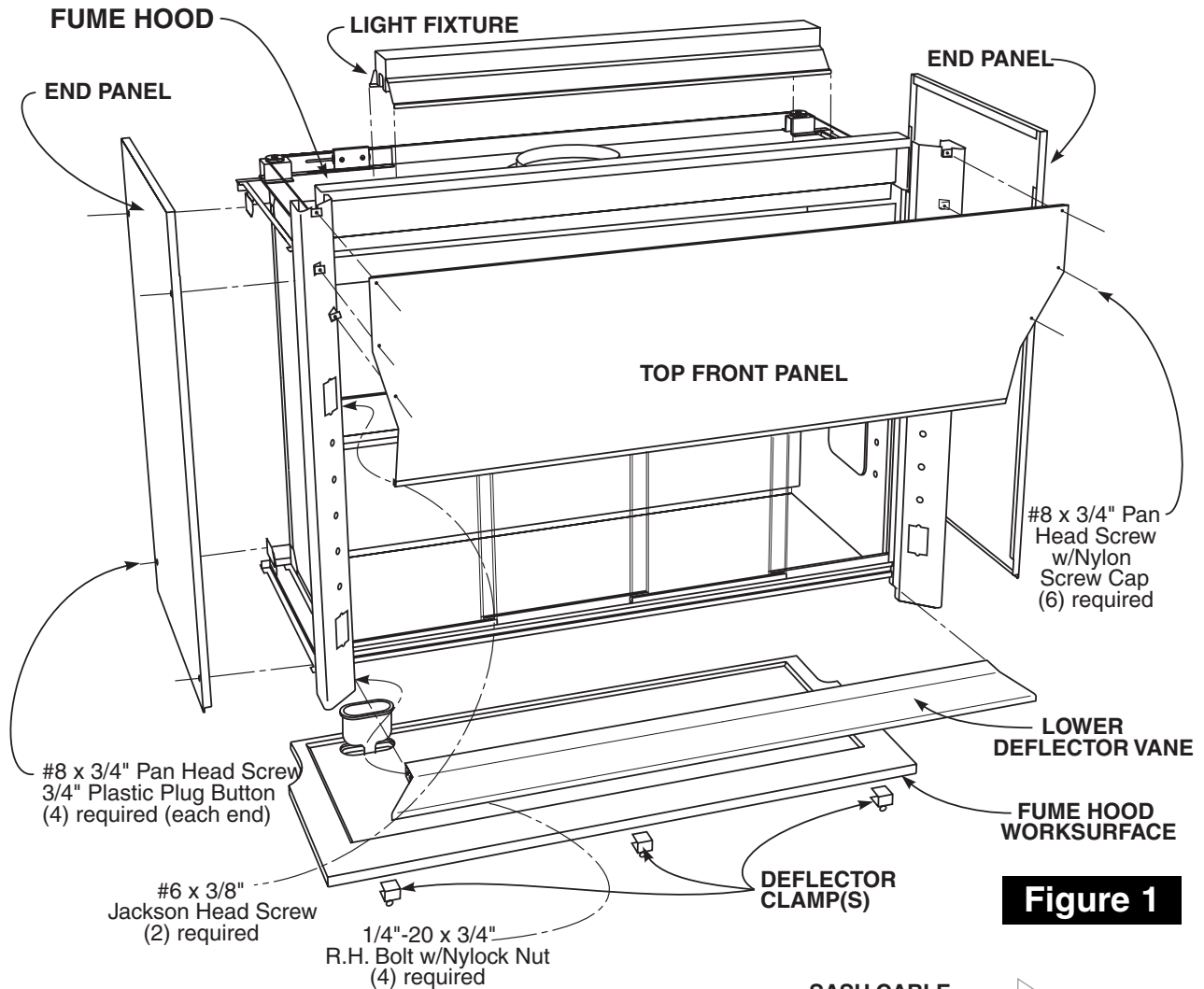


Figure 1

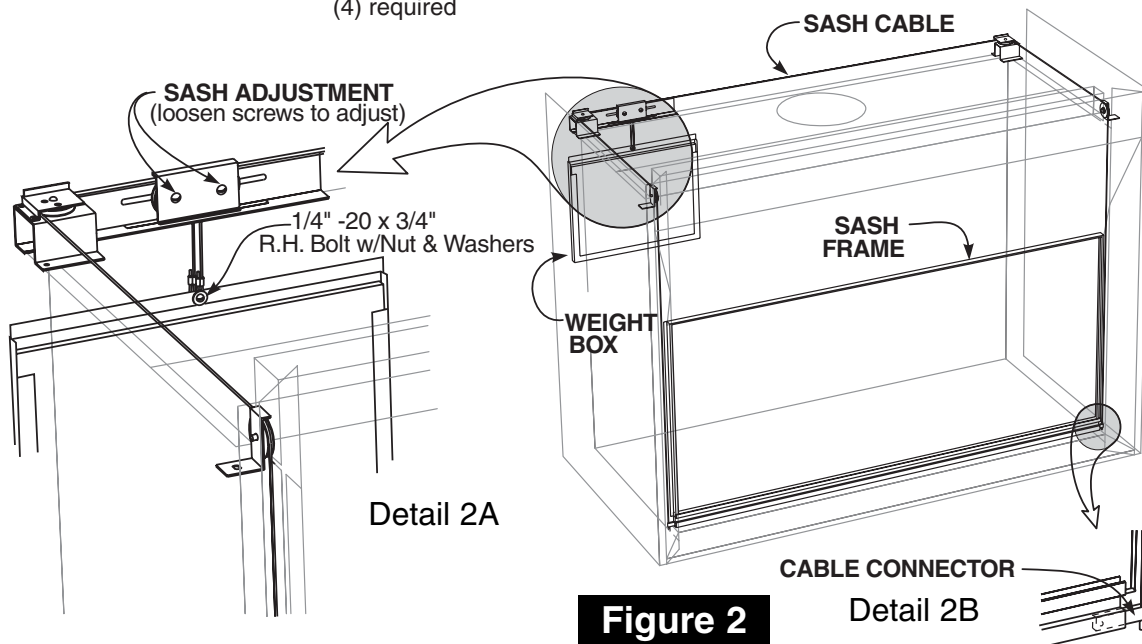


Figure 2

Supreme Air Bench Hood

Fume Hood with Combination Sash

Packing List

On Pallet	Hardware Package
Fume Hood	(10) Nylon Screw Caps (EXTRAS)
Sash Weight Box	(10) 3/4" Plastic Plug Buttons (2 EXTRAS)
Sash Panels (2 cartons)	(3) Deflector Clamps
Hardware Package	

NOTICE Fume Hood Worksurface is packaged separately.

Preparation

1. Place, level, and install the **Base Unit Assembly** that will support the **Fume Hood** as shown on page 4.
2. Attach the **Fume Hood Worksurface** to the **Base Unit Assembly** at the corners using epoxy cement or similar adhesive.

NOTICE Worksurface should be centered on units and overhang the front by 1½". Worksurface must be level. Shim beneath as needed. Top may not extend all the way to rear wall.

3. Uncrate **Fume Hood** taking care to sort and inventory all parts.
4. Remove **End Panels** from **Fume Hood** and remove screws holding **Fume Hood** and **Weight Box** to pallet. (Save End Panel screws to reattach End Panel later.)
5. Remove all packing from **Fume Hood** and any tape holding parts in place for shipping.

NOTICE **Fume Hood** is packed fully assembled except for **Weight Box** and **Sash Panels**. The **Light Fixture**, **Top Front Panel**, and **Lower Deflector Vane** may be removed to fit through narrow doorways and/or for easier access.

NOTICE Generally electrical fixtures and plumbing fittings are shipped installed, but may be shipped loose depending on job requirements. Fittings may also be pre-wired and/or pre-piped. Fixtures are not shown on assembly diagram as quantities and locations vary to meet individual requirements.

Installation

6. Install **Glass Sash Panels** per instructions on page 5.
7. Check that **Sash Cables** are properly routed over front pulleys, around rear pulleys, and through the **Sash Adjustment** pulleys. (see Figure 2)
8. Attach **Weight Box** to cables using one (1) 1/4" -20 x 3/4" R.H. Bolt, Nylock Nut, and two (2) Flat Washers (bolt, nut, and washer shipped attached to cable ends)
9. Loosen **Sash Adjustment** pulley bolts and slide pulleys as needed to level sash. Re-tighten when adjusted.

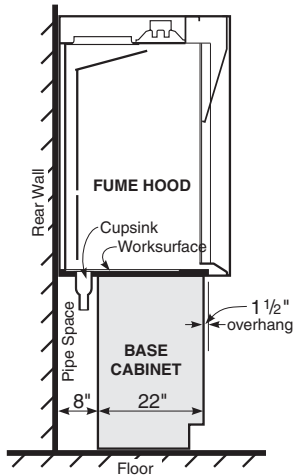
⚠ CAUTION When raising Sash make sure Sash Panels are closed.

10. Using as many workers as needed, lift assembled **Fume Hood** and place on leveled **Worksurface**. Make sure hood is pushed back as far as possible and centered on **Base Unit Assembly**.
11. Attach the spacer tabs on the bottom of the **Lower Deflector Vane** to the **Worksurface** using the **Deflector Clamps**.
12. Coordinate connections of service fittings, electrical fixtures, and ductwork with the respective trades (i.e. mechanical, electrical, HVAC). After connections are complete, replace interior **Access Panels**, if removed, and the exterior **End Panels**. Cover screw holes in **End Panels** with 3/4" **Plastic Plug Buttons**.
13. Check **Sash** again for level and smooth movement. Adjust as needed.
To level, loosen pulley screws on **Sash Adjustment** mechanism and slide pulleys as necessary. (see Detail 2A)
To adjust **Sash** side-to-side, loosen screws on back of **Sash Handle** and slide the **Cable Connectors** as needed. (see Detail 2B)

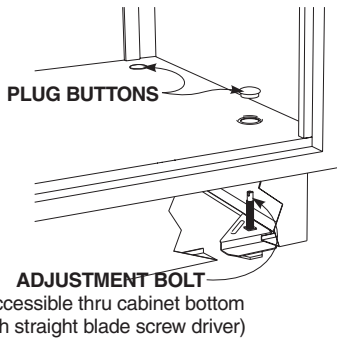
⚠ CAUTION When adjusting side-to-side, make sure sash frame edges clear the front pulleys.

14. Inspect the complete installation, remove any dust, dirt, or other debris. Check all moving parts for proper operation, and adjust or lubricate as necessary.

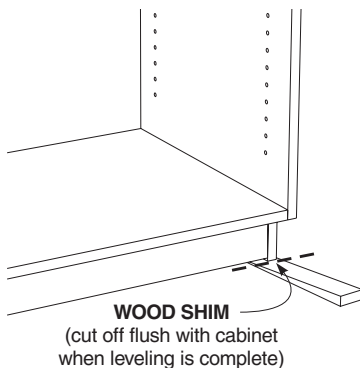
Base Unit Assembly for Bench Type Fume Hoods



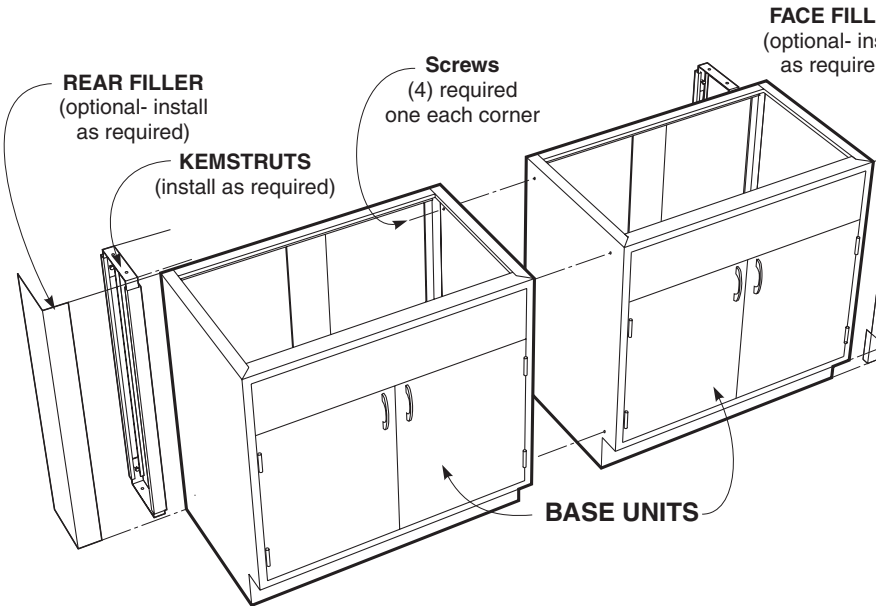
Detail 1
Fume Hood Base Cabinet Location



Detail 2S
Steel base cabinets are leveled using the adjustment bolts located in the cabinet base.



Detail 2W
Wood base cabinets are leveled using wooden shims, available at any lumber yard or home center.



Preparation

1. Locate and mark hood and base cabinet locations making sure area is clear of obstructions and debris. Be sure all conduit, duct work and service lines have been run and are ready for final connections.

NOTICE Kemstruts and other pipe or worksurface supports should be installed before the base cabinets are moved into place.

2. Locate the high point of the floor within the area that the base cabinets will be installed.

Installation

3. Starting with the base cabinet on the highest point on the floor, move the first cabinet into location as shown in Detail 1 and according to project drawings
4. Using a four foot carpenters level, level the cabinet; side-to-side, front-to-back, and diagonally. (see Detail 2S and 2W to the left for leveling methods)

NOTICE Blocks or cleats may be used to fasten cabinets to floor or walls to insure cabinets don't move during installation.

5. Move the next cabinet into position and clamp it to the first cabinet, making sure that the cabinet faces and tops are flush.
6. Level the cabinet, as in step 4.
7. Using four (4) screws, as listed below, fasten the two cabinets together at all four corners of the end panels.
Use #8 x 1-1/4" Flat Head screws for wood cabinets.
Use #8 x 1/2" Truss Head Sheet Metal screws for steel cabinets.
(pilot holes must be drilled in the steel cabinets before driving screws)

8. Complete hood installation and all mechanical connections before installing any required fillers or scribes.

NOTICE It is recommended that the polyethylene liner be removed from Acid Storage cabinets during installation to allow fastening to adjacent cabinets and ease plumbing connections. Be sure to replace when installation is complete.

Supreme Air Bench Hood

Fume Hood with Combination Sash

Parts List

- | | |
|-----|--|
| (4) | 1/4" Laminated Safety Glass Sash Panels with Shoe attached |
| (8) | Rollers |
| (8) | Plastic Guides |

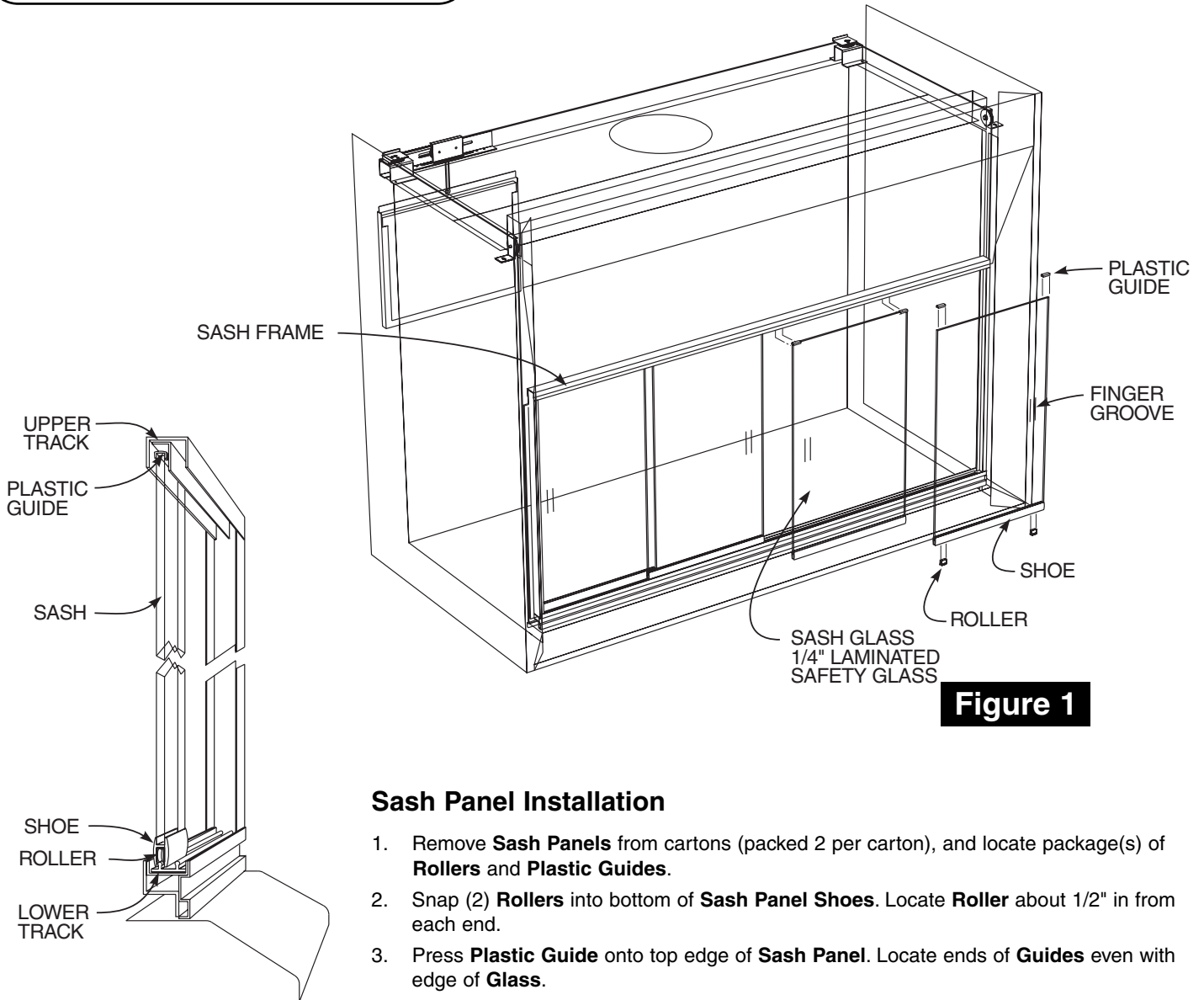


Figure 1

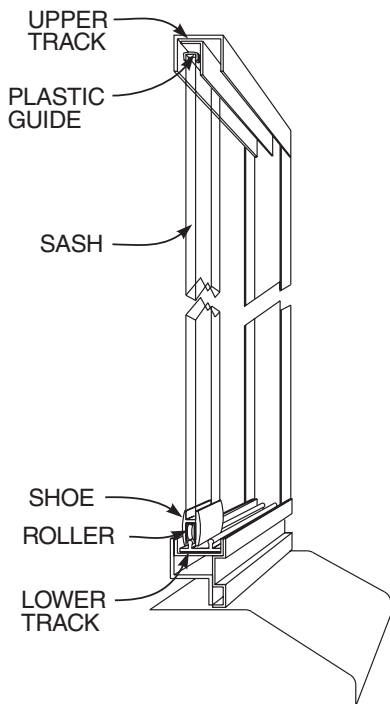


Figure 2

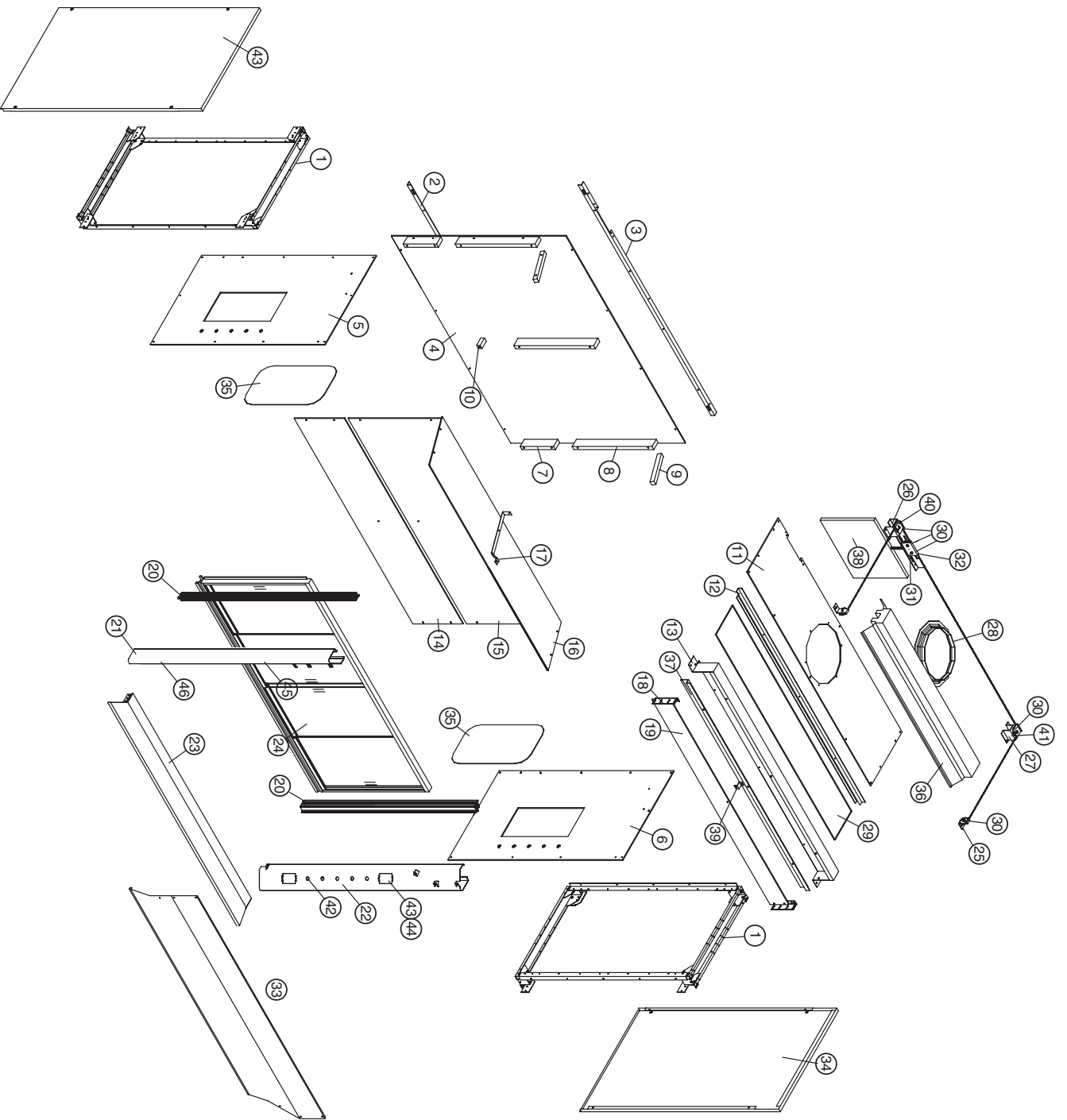
Sash Panel Installation

1. Remove **Sash Panels** from cartons (packed 2 per carton), and locate package(s) of **Rollers** and **Plastic Guides**.
2. Snap (2) **Rollers** into bottom of **Sash Panel Shoes**. Locate **Roller** about 1/2" in from each end.
3. Press **Plastic Guide** onto top edge of **Sash Panel**. Locate ends of **Guides** even with edge of **Glass**.
4. Place **Sash Panels** into **Sash Frame** by first inserting top of **Panel** into **Upper Track**, then lowering onto **Lower Track**.

NOTICE Place two **Panels** in back and two in front with finger grooves located as shown in Figure 1.

NOTICE **Sash Panels** should be placed in **Sash Frame** before **Sash Weight** is attached.

CAUTION **Sash Panels** should be closed when raising and lowering **Sash**.



PRT	QTY	DESCRIPTION
1	2	END FRAME WELDMENT
2	1	BOTTOM BACK LINER ANGLE
3	1	TOP BACK LINER ANGLE
4	1	BACK LINER PANEL
5	1	LEFT SIDE LINER PANEL
6	1	RIGHT SIDE LINER PANEL
7	2	LOWER SIDE CLEAT
8	3	UPPER CLEAT
9	2	SLOPING CLEAT
10	1	LOWER CENTER CLEAT
11	1	TOP LINER PANEL
12	1	LIGHT ANGLE
13	1	BYPASS PANEL
14	1	LOWER BARFILE
15	1	UPPER BARFILE
16	1	SLOPING BARFILE STRAP
17	1	DEFLECTOR VANE WELDMENT
18	1	RIGHT FACIA
19	2	SASH TRACK ASSEMBLY
20	1	BYPASS BLOCK OFF PANEL
21	2	BYPASS BLOCK PANEL ANGLE
22	1	SLOPING BARFILE
23	1	UPPER BARFILE
24	1	LOWER BARFILE
25	2	SASH ASSEMBLY
26	1	FRONT PULLEY BRACKET
27	1	LEFT REAR PULLEY BRACKET
28	1	RIGHT REAR PULLEY BRACKET
29	1	DUCT COLLAR
30	8	LIGHT GLASS
31	1	2" DIA. PULLEY
32	1	SASH ADJUSTMENT BRACKET
33	1	SASH ADJUSTMENT PLATE
34	1	FRONT PANEL ASSEMBLY
35	2	END PANEL
36	2	ACCESS PANEL
37	1	LIGHT
38	1	FUME RETAINER
39	1	SASH WEIGHT ASSEMBLY
40	1	BYPASS BLOCK SUPPORT ANGLE
41	1	LEFT REAR CABLE RETAINER
42	1	RIGHT REAR CABLE RETAINER
43	1	PLUG BUTTONS, 3/4" DIA. HOLE
44	1	BLANK FACE PLATE, ST/STEEL
45	1	FACE PLATE MOUNTING STRAP
46	2	DUPLEX RECEPTACLE

HO7-H09 Fume Hood - Parts Listing